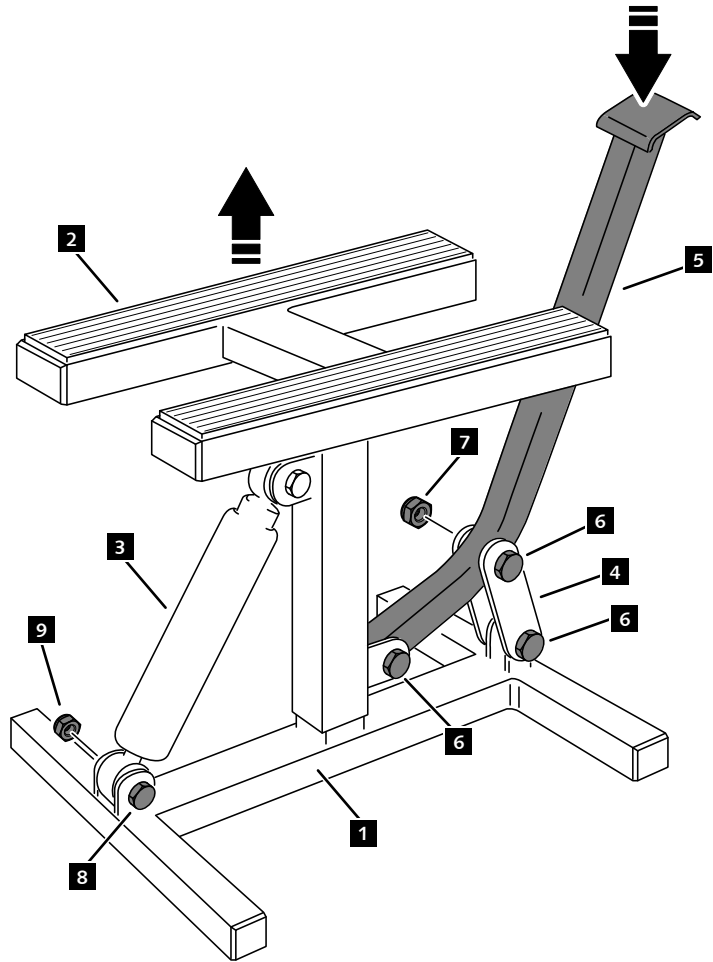


STAND OFF-ROAD HIDRÁULICO
HYDRAULIC OFF-ROAD STAND

REF 6290N

M O U N T I N G I N S T R U C T I O N S



ID.	DESCRIPCIÓN	DESCRIPTION	QTY.
1	Soporte plataforma	Platform support	1
2	Plataforma	Platform	1
3	Amortiguador hidráulico	Hydraulic shock absorber	1
4	Pletina 32x4 Long. 107	32x4 plate Lenght 107	2
5	Brazo palanca tubo de 25	Tube crowbar of 25	1
6	Tornillo M10x50 DIN931	M10x50 screw DIN931	3
7	Tuerca M10 DIN985	M10 nut DIN 985	3
8	Tornillo M8x45 DIN931	M8x45 screw DIN931	2
9	Tuerca M8 DIN985	M8 nut DIN985	2