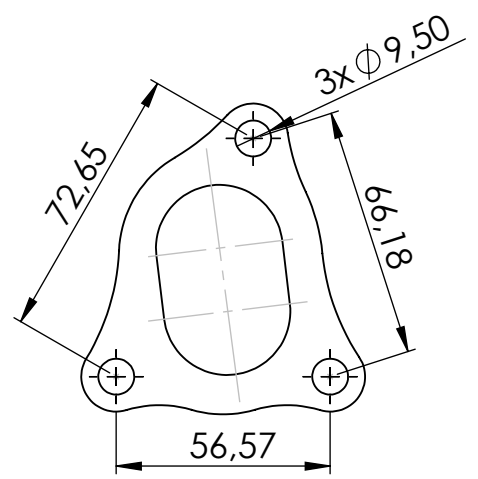
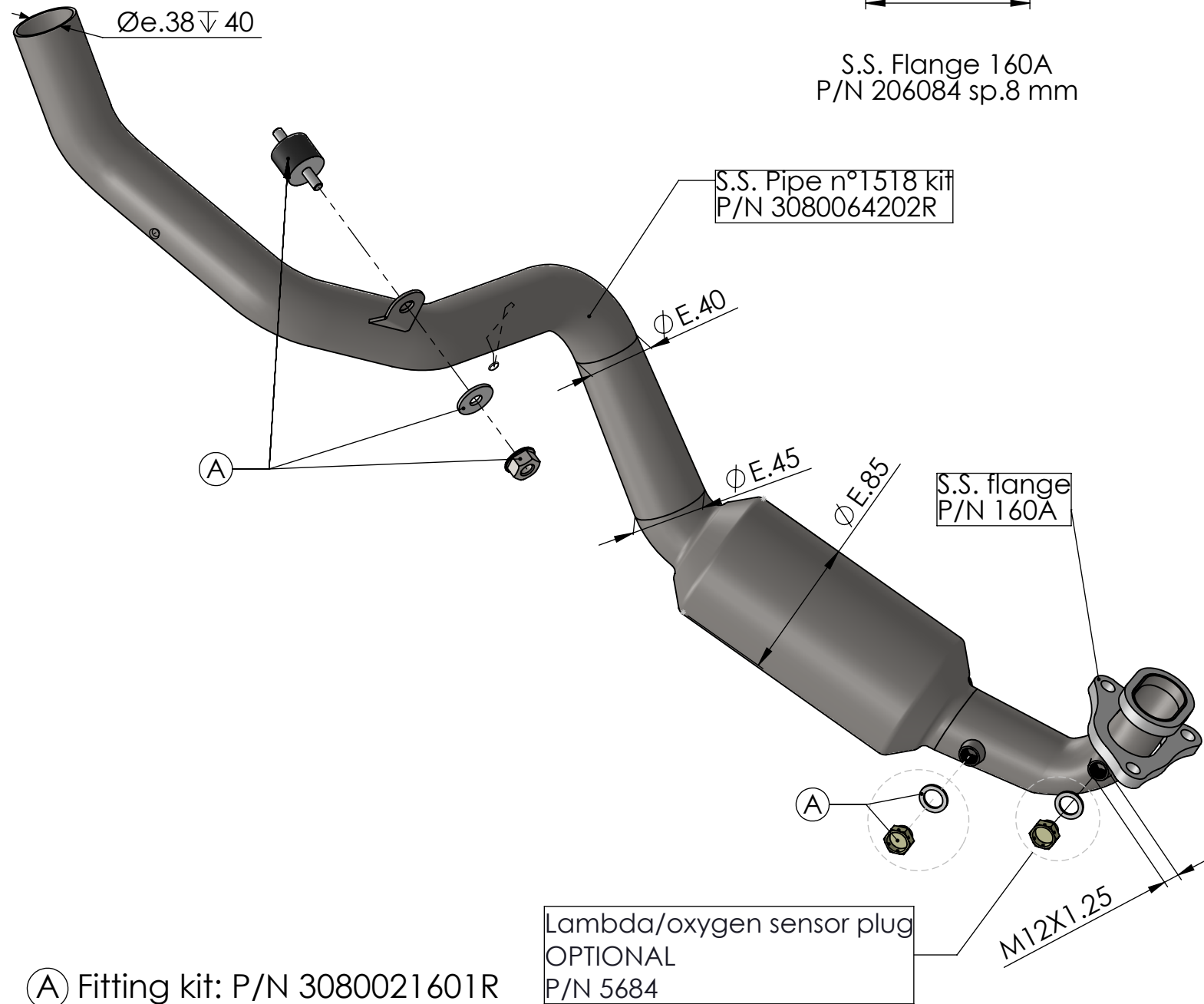


WARNING

it is advisable to optimize the carburation by remapping the stock ECU or by adopting an additional ECU unit.



S.S. Flange 160A
P/N 206084 sp.8 mm



Ⓐ Fitting kit: P/N 3080021601R

ART. 80064 - SPARE PARTS

HONDA FORZA 750

CAT ELIMINATOR - COMPATIBLE WITH STOCK SILENCER
AND LEOVINCE SLIP-ON ART 14193E - 14194E - 14194EU - 14046
- 14046U - 15614 - 15614U - 15614B - 15614BU - 15614T - 15614TU