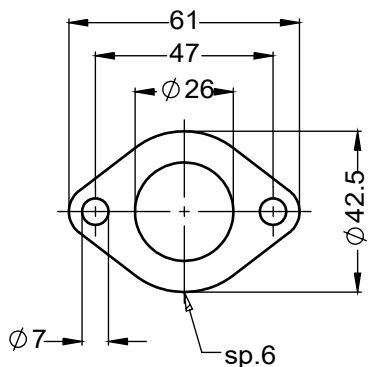
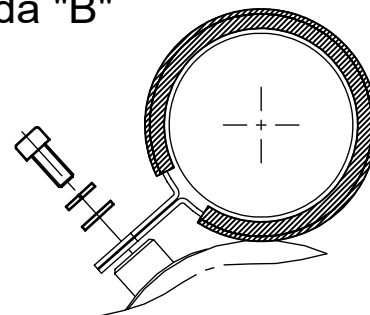


Vista da "A"
Flangia "50A"



Vista da "B"



Aluminium bracket
Cod.080187001

Aluminium bracket
Cod.300171504

2x Aluminium spacer
Ø 8.5- Ø 20 h.18
Cod. 200413

2x Allen screw M8X40
T.C.Z.B.
Cod.200589

Allen screw M6X14
T.C.E.I.Z.B.
Cod.200257

2x Knurled collar nut
M8 Cod.200298

Grower Ø 6xØ 11
Cod.200257

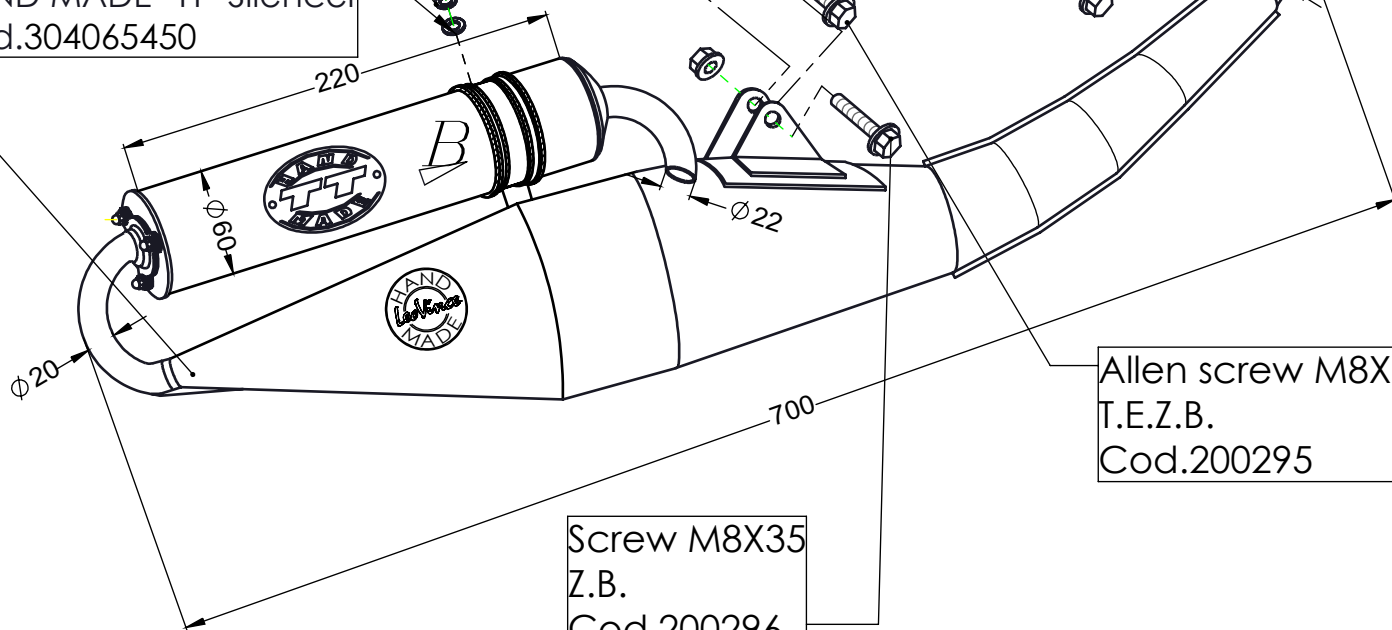
Plain washer Ø 6xØ 12
Cod.200291

HAND MADE "TT" Silencer
Cod.304065450

Riduzione
interna

Allen screw M8X25
T.E.Z.B.
Cod.200295

Screw M8X35
Z.B.
Cod.200296



ART. 4065

PIAGGIO ZIP 50 KAT ('00 - air cooled)

PIAGGIO ZIP 50 (2T) ('09/'12)

PIAGGIO FLY 50 ('05 - air cooled)

PIAGGIO TYPHOON 50 ('12) (2 stroke)

GILERA ICE 50 KAT('01)

APRILIA SR 50 MOTARD ('12) (2 stroke)

FULL SYSTEM- HAND MADE "TT" - APPROVED