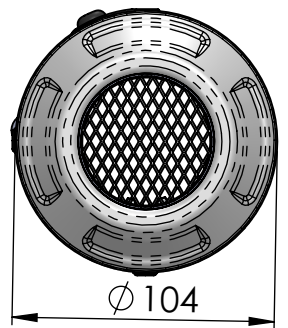


STANDARD LINK PIPE

LV-10 Silencer
Stainless steel
Cod.309746481

Plain washer $\varnothing 8 \times \varnothing 24$
Cod.200321

Carbon Bracket
Cod.0815200001



2 Knurled collar
nut M8
Cod.200298

Aluminium spacer $\varnothing 27 \times 8.5$
Cod.204321

Allen screw M8X40 T.C.E.I. Z.B.
Cod.200993

160

$\varnothing i.54$
 $\varnothing e.54$

Standard pipe N° 1154 S.s
Cod.3015200201

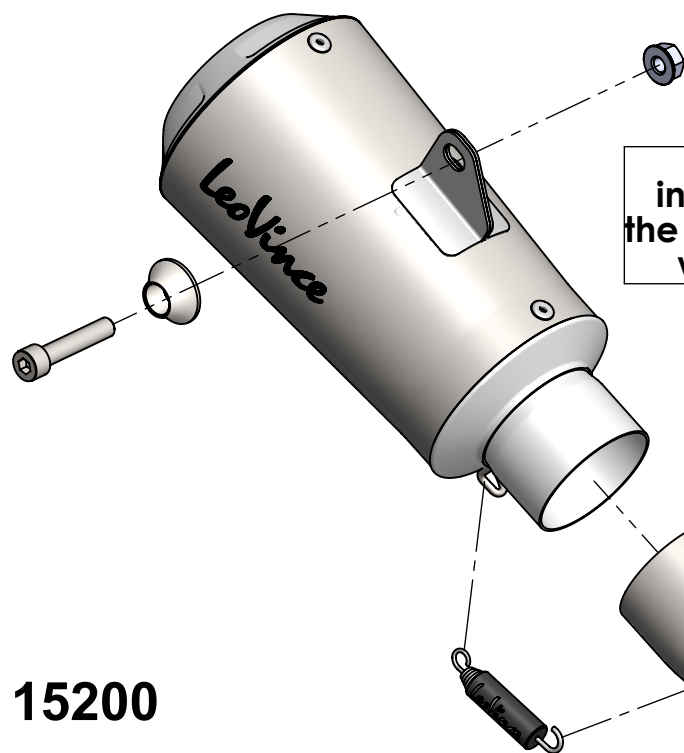
Strap-in $\varnothing 53$ S.s
Cod.300053530

Plain washer $\varnothing 8 \times \varnothing 17$
Cod.200294

Allen screw
M8X20 T.C.E.I. Z.B.
Cod.200474

Short helical spring
tensile
Cod.303949001

HIGH MOUNT LINK PIPE



DISCLAIMER:
in order to avoid any risk of burns from
the muffler, do not carry on any passenger
when using the high mount link-pipe.

Pipe N° 1155 S.s
Cod.3015200203

ART. 15200

KAWASAKI ZX-10 R NINJA / RR NINJA

SLIP-ON - LV-10 - STAINLESS STEEL