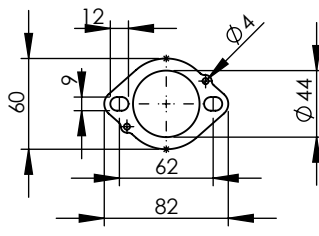
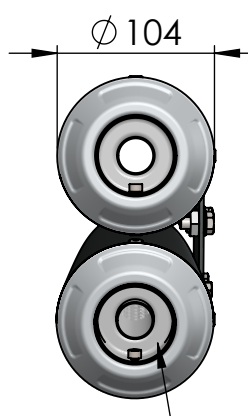


S.s bushing
cod.204833



S.s Flange 112A
cod.204569 Sp.5mm



S.s. black bracket
Purch.Cod. 206352
Prod. Cod.3015109501

S.s. black bracket
Purch.Cod. 206337
Prod. Cod.3015101501

2x Graphite Gasket
Cod.204980

4x Knurled collar screw M6X16 T.E
Cod.204985

2x Knurled collar screw M8X16 T.E
Cod.206008

7x Short helical
spring tensile
cod. 303949001

2X Db-Killer ø22
Cod.303430803

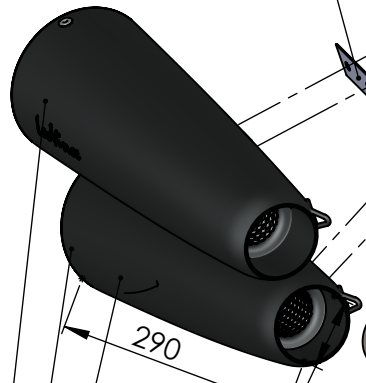
2x Plain washer
Ø8xØ 24
Cod.200321

2x S.s. bushing
cod.204833

S.s. bracket
cod.303268501

2x S.s. flange
cod.204569

Knurled collar nut
M8 Cod.200298



GP DUALS silencer inferior
Cod.3015108482

(E13) 92R-01 10390

GP DUALS silencer superior
Cod.3015110481

Pipe s.s.
cod. 3015128205

Pipe s.s.
cod. 3015128203

2x Allen screw M8X16
Cod.200360

OPTIONAL
cod.5683

Pipe s.s. RH
cod. 3014349202

Pipe s.s. LH
cod. 3014349201

Rubber black clamp
cod.402489

ART. 15128K

YAMAHA XSR 700 / XTRIBUTE
(also fits 35 kW version)

FULL SYSTEM - GP DUALS - STAINLESS STEEL - APPROVED