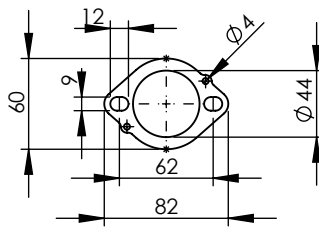
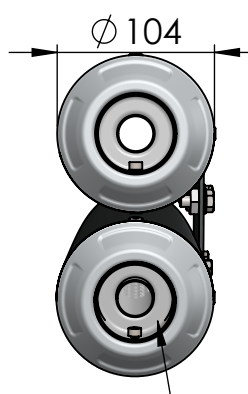


**S.s bushing  
cod.204833**



**S.s Flange 112A  
cod.204569 Sp.5mm**



S.s. black bracket  
Purch.Cod. 206352  
Prod. Cod.3015109501

S.s. black bracket  
Purch.Cod. 206337  
Prod. Cod.3015101501

2x Graphite Gasket  
Cod.204980

4x Knurled collar screw M6X16 T.E  
Cod.204985

2x Knurled collar screw M8X16 T.E  
Cod.206008

7x Short helical  
spring tensile  
cod. 303949001

2X Db-Killer ø22  
Cod.303430803

2x Plain washer  
Ø8xØ24  
Cod.200321

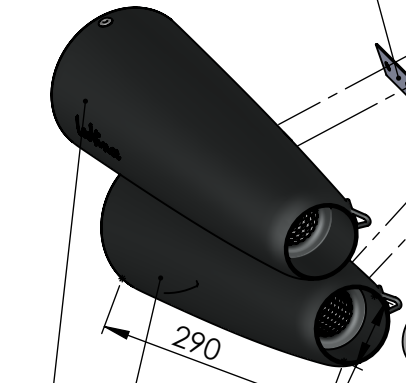
2x S.s. bushing  
cod.204833

S.s. bracket  
cod.303268501

2x S.s. flange  
cod.204569

Knurled collar nut  
M8 Cod.200298

NOT PAINTED



GP DUALS silencer inferior  
Cod.3015108482

GP DUALS silencer superior  
Cod.3015110481

Pipe s.s.  
cod. 3015128225

Pipe s.s.  
cod. 3015128221

2x Allen screw M8X16  
Cod.200360

OPTIONAL  
cod.5683

Pipe s.s. RH  
cod. 3014349222

Pipe s.s. LH  
cod. 3014349221

Rubber black clamp  
cod.402489

NOT PAINTED  
17.5mm

NOT PAINTED

NOT PAINTED

NOT PAINTED

NOT PAINTED

**ART. 15128FB**

**YAMAHA XSR 700 / XTRIBUTE**  
(also fits 35 kW version)

**FULL SYSTEM - GP DUALS - FULL BLACK**