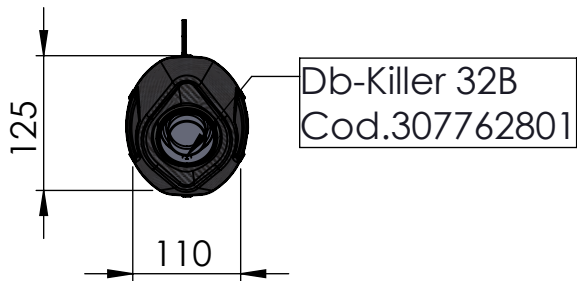


NB: ONLY FOR T-MAX 530



VIEW B

Knurled collar nut
M10x1.25 Cod.203039

ORIGINAL FRAME
NB: remove original nut

Screw M8X16
T.E.Z.B.
Cod.206008

Bracket S.s
cod. 0814342501

3 Knurled collar nut
M8 Cod.200298

LV ONE EVO silencer
Carbon fiber RHS
Cod.3014343481

Carbon clamp FB1S
Cod.306960505

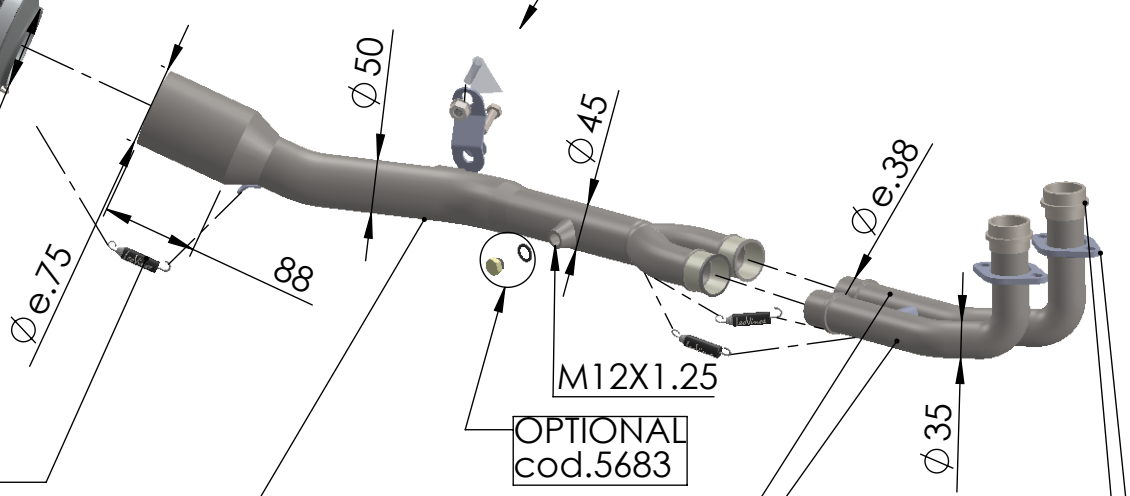
2X Plain washer $\phi 8 \times \phi 24$
Cod.200321

Bracket black S.s
Prod. cod. 3014342501
Purch. cod. 206661

2x Aluminium spacer
 $\phi 27 \times 8,5$
Cod. 204321

Allen screw M8X20
T.C.Z.B.Cod.200722

B



Allen screw M8X25
T.C.E.I.Z.B.
Cod.200314

3x Short helical
spring tensile
cod. 303949001

Pipe N°1334 s.s
cod. 3014342201

OPTIONAL
cod.5683

M12X1.25

2x welded Bushing s.s.
cod.206062

2x Flange 25B s.s. sp.6mm
cod.200560

Pipe N°1331 s.s
cod. 3015305201

WARNING

it is advisable to optimize the carburation by remapping the stock ECU or by adopting an additional ECU unit.

ART. 14343E

YAMAHA T-MAX 530 ABS/DX/SX

FULL SYSTEM - LV ONE EVO - CARBON