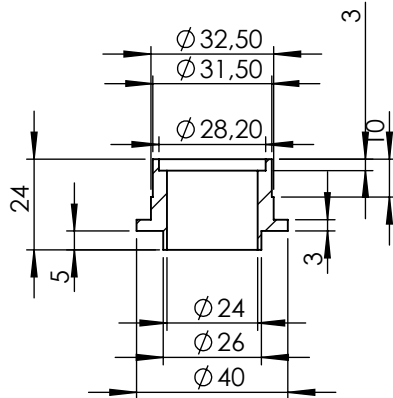
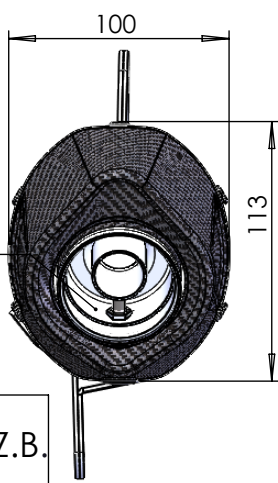
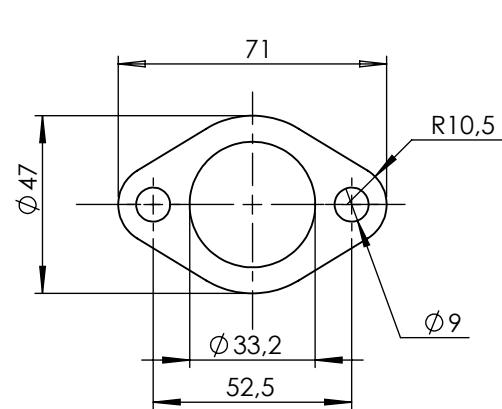


DB-Killer N°63  
Cod.3014225801R



Bushing  
Cod. 204640



Flange 43E Sp.5mm  
Cod. 206308

Allen screw  
M8X60 T.C.E.I.Z.B.  
Cod.200949

Aluminium spacer  
27x8.5  
Cod.204321

Medium silencer  
LV ONE EVO  $\phi$ i 45X300  
Cod.3014326481

Aluminium spacer  
25/18x40x8.5  
Cod.202499

Knurled collar nut M8  
Cod.200298

S.s Bracket  
Purch. Cod.206577  
Prod.Cod.0814326501

Allen screw  
M8X50 Z.B.  
Cod.200304

welded S.s bushing  
cod.204640

Gasket 33X26,15X4  
Cod.201525

Flange 43E  
Cod.206308

Allen screw  
M10X40x1.25  
T.C.E.I.Z.B.  
Cod.204109

Aluminium spacer  
30x13x16.5  
Cod.206307

2x Aluminium spacer  
(to cover hole in  
original frame)  
d.25xh12.5x10.5  
Cod.206272

Short helical spring  
tensile  
Cod.303949001

Pipe N° 1277 S.s  
Cod.3014326201

2x Allen screw  
(to cover hole in  
original frame)  
M10X1.25x30 Z.B.  
Cod.406393

### WARNING

it is advisable to optimize the carburation by remapping the stock ECU or by adopting an additional ECU unit.

## ART.14326E

## HONDA SH 125i

## FULL SYSTEM 1/1 - LV ONE EVO - STAINLESS STEEL