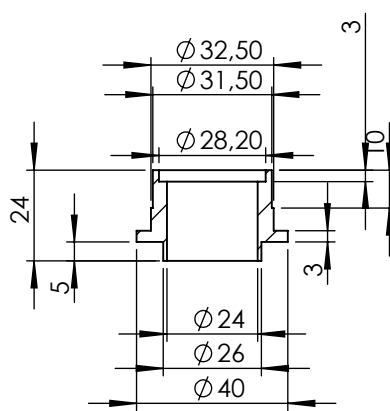
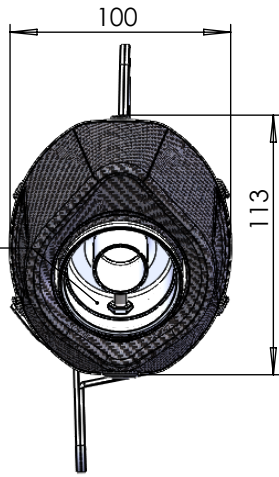
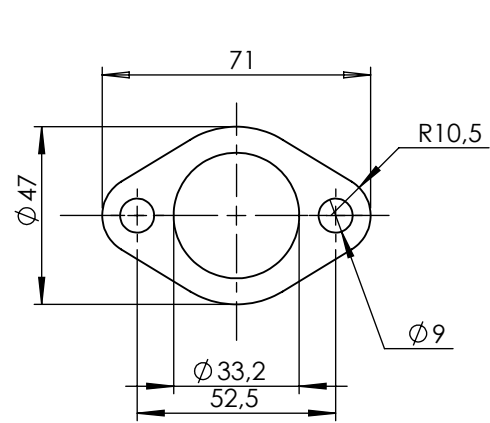


DB-Killer N°63
Cod.3014225801R



Bushing
Cod. 204640



Flange 43E SP. 5mm
Cod. 206308

Carbon
end cap set
Cod.3014008701R

S.s end cap set
Cod.3014259711R

Muffler kit
Cod.3014326481R

S.s Bracket
Cod.3014326561R

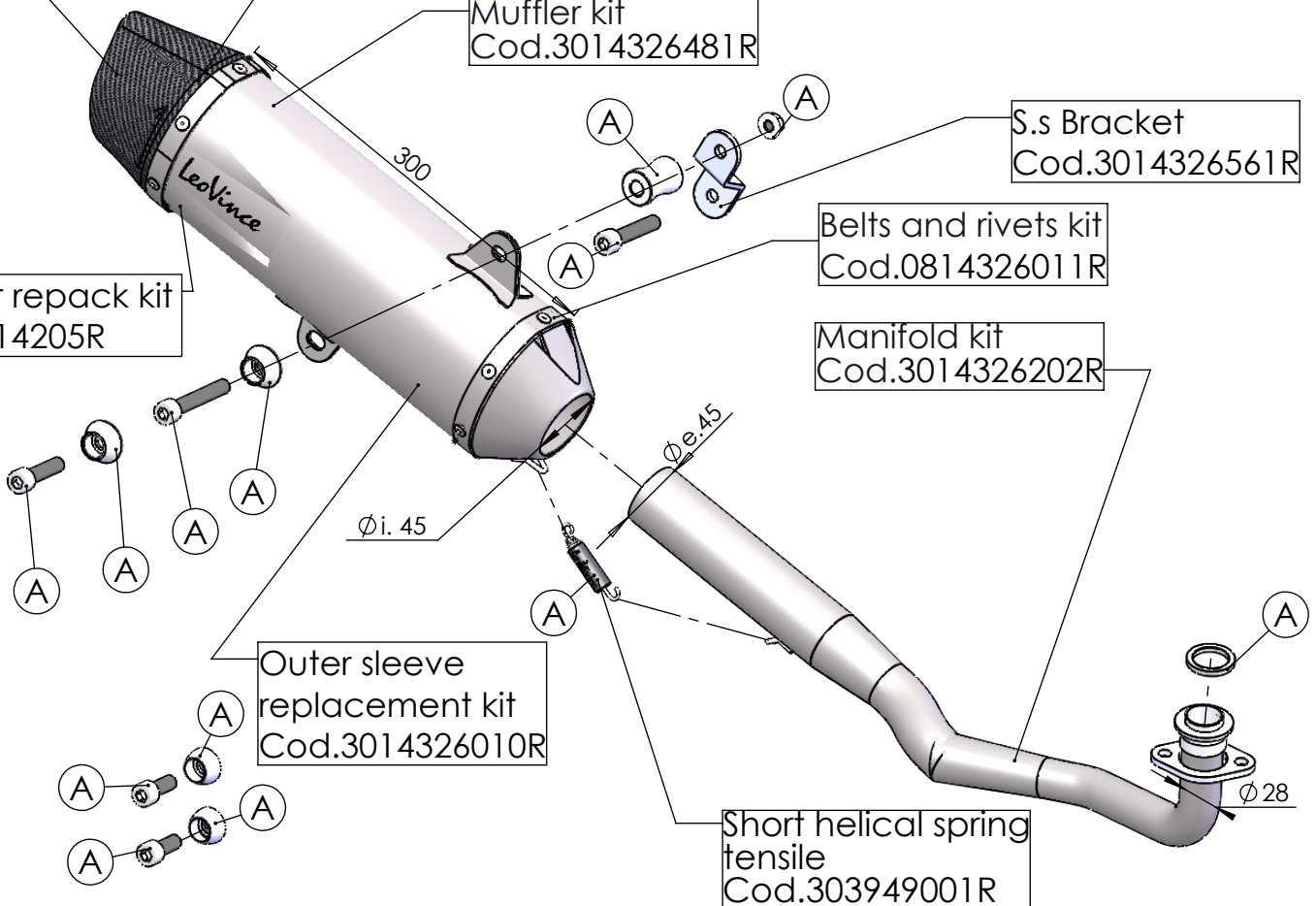
Belts and rivets kit
Cod.0814326011R

Manifold kit
Cod.3014326202R

Muffler repack kit
Cod.414205R

Outer sleeve
replacement kit
Cod.3014326010R

Short helical spring
tensile
Cod.303949001R



WARNING

it is advisable to optimize the carburation by remapping
the stock ECU or by adopting an additional ECU unit.

ART.14326E SPARE PARTS

HONDA SH 125i

(A) FITTING KIT Cod. 3014326601R