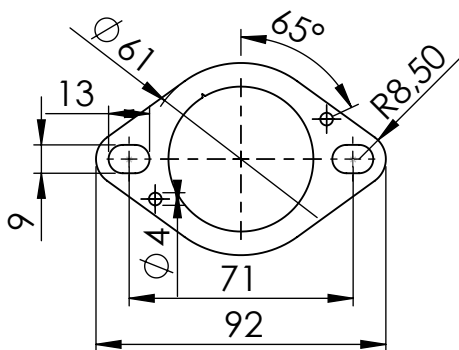
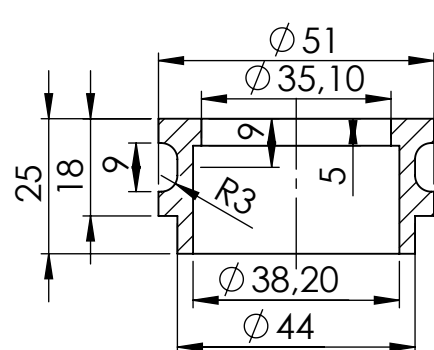


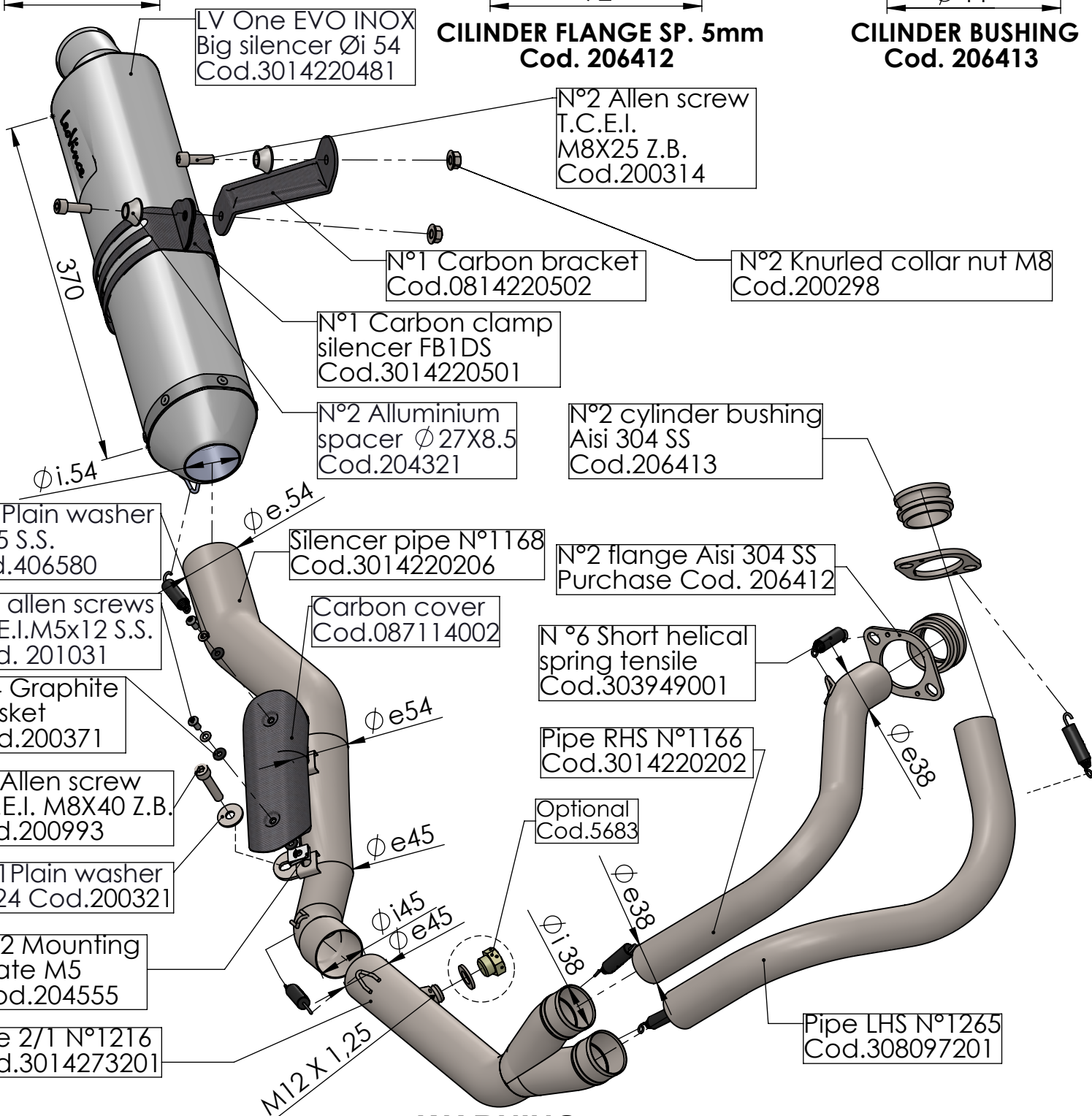
dB-killer 32 B
Cod.307762801



CILINDER FLANGE SP. 5mm
Cod. 206412



CILINDER BUSHING
Cod. 206413



LV One EVO INOX
Big silencer Øi 54
Cod.3014220481

N°2 Allen screw
T.C.E.I.
M8X25 Z.B.
Cod.200314

N°1 Carbon bracket
Cod.0814220502

N°2 Knurled collar nut M8
Cod.200298

N°1 Carbon clamp
silencer FB1DS
Cod.3014220501

N°2 Aluminium
spacer Ø 27X8.5
Cod.204321

N°2 cylinder bushing
Aisi 304 SS
Cod.206413

N°2 Plain washer
5X15 S.S.
Cod.406580

Silencer pipe N°1168
Cod.3014220206

N°2 flange Aisi 304 SS
Purchase Cod. 206412

N°2 allen screws
T.B.E.I.M5x12 S.S.
Cod. 201031

Carbon cover
Cod.087114002

N°6 Short helical
spring tensile
Cod.303949001

N°4 Graphite
Gasket
Cod.200371

N°1 Allen screw
T.C.E.I. M8X40 Z.B.
Cod.200993

N°1 Plain washer
8x24 Cod.200321

N°2 Mounting
plate M5
Cod.204555

Pipe 2/1 N°1216
Cod.3014273201

Pipe RHS N°1166
Cod.3014220202

Optional
Cod.5683

Pipe LHS N°1265
Cod.308097201

WARNING

it is advisable to optimize the carburation by remapping the stock ECU or by adopting an additional ECU unit.

ART. 14273E

HONDA CRF1000 L AFRICA TWIN / ADVENTURE SPORTS
(Fits with original panniers)

FULL SYSTEM 2/1- LV ONE EVO - STAINLESS STEEL