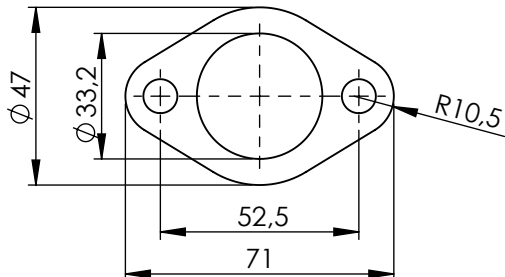
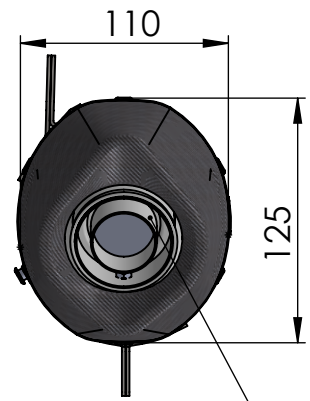


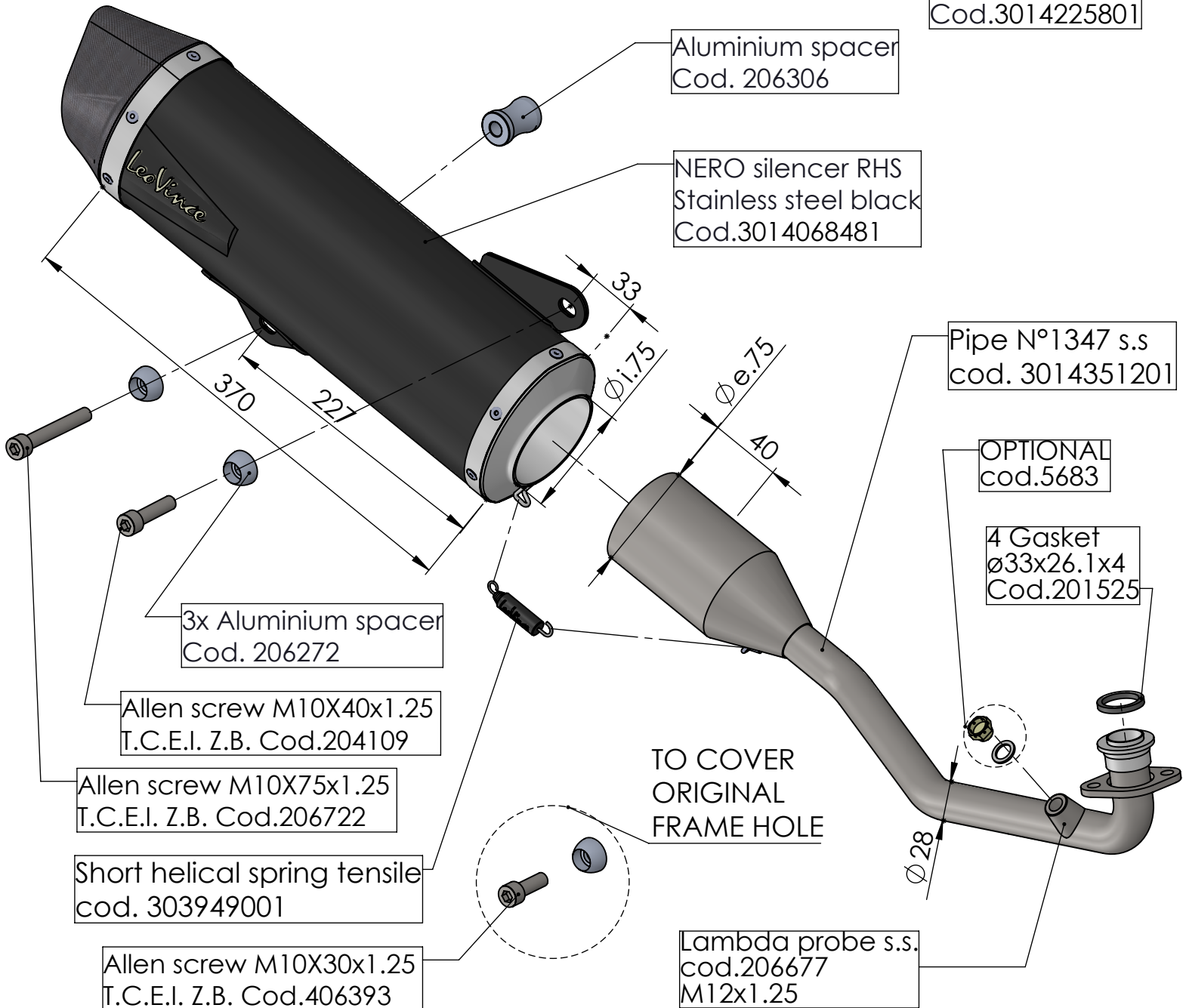
**Bushing s.s**  
cod.206283



**Flange s.s. 43E sp.5mm**  
cod.206308



**Db-Killer N.63**  
Cod.3014225801



**Aluminium spacer**  
Cod. 206306

**NERO silencer RHS**  
Stainless steel black  
Cod.3014068481

**Pipe N°1347 s.s**  
cod. 3014351201

**OPTIONAL**  
cod.5683

**4 Gasket**  
ø33x26.1x4  
Cod.201525

**3x Aluminium spacer**  
Cod. 206272

**Allen screw M10X40x1.25**  
T.C.E.I. Z.B. Cod.204109

**Allen screw M10X75x1.25**  
T.C.E.I. Z.B. Cod.206722

**Short helical spring tensile**  
cod. 303949001

**Allen screw M10X30x1.25**  
T.C.E.I. Z.B. Cod.406393

TO COVER  
ORIGINAL  
FRAME HOLE

**Lambda probe s.s.**  
cod.206677  
M12x1.25

**ART. 14068**

HONDA SH 125i / 150i

FULL SYSTEM - NERO - STAINLESS STEEL